



How to Install EZ Snap® Window and Skylight Shades

Congratulations on your purchase of EZ Snap Shades... Print these instructions and keep on hand for reference while installing your EZ Snap® Window and Skylight Shades.

Before You Begin

Please Watch EZ Snap® Videos for overview of Shades and Fasteners (www.ezsnapdirect.com/videos) and read instructions before you start your project.

Planning...

Have your Shade measurements and Fastener requirements on hand for all of your windows and skylights. Use the **EZ Snap Kit Size Calculator** (<https://calculator.ezsnapdirect.com>) to figure out the most efficient layout **before you start**. Best to measure twice, cut once.

If installing multiple Shades, lay out and cut Shades from the 72 inch wide Shade Mesh included in each kit. Nest your Shades together for the most efficient fit.

Count out Fasteners and mark their locations on window perimeter, making sure you have enough Caps, Pins and Studs.

Fasteners...

Using a **MAXIMUM** of 10 inch spacing between Fasteners is recommended on most installations. If your shade piece is over 24 square feet or you are in a high wind area, then use a **MAXIMUM** of 5 inch spacing.

Adhesive Studs are NOT recommended for wood surfaces. They stick best on surfaces like vinyl, aluminum, and fiberglass. Mounting surface must be minimum 7/8 inch wide, flat, non-textured, and cleaned properly (see Cleaning and Prepping Mounting Surface on Page 4).

If installing on wood, use the **Screw-in Studs**. Be careful not to over-tighten screws.



All Caps and Pins work with both Adhesive and Screw Studs.

Caps and Pins: Lock permanently together on the Shades.

Studs (Adhesive or Screw-in): Attach permanently around the perimeter of each window or skylight.



When removing Shades (after installation) please use the EZ Snap Cutting and Removal Tool to gently pry apart the Pins and Studs (twist like you are turning a key). This will safely separate the EZ Snaps without putting excess force on the Studs or the Shades.

The Pins and Caps will remain on the Shades. The Studs will remain around windows or skylights... ready for re-installation of Shades, when desired.

Shades...

EZ Snap Shades are optical grade fabric that won't hinder your view when looking out your windows. If installed over bug screens, you may see a moray pattern or 'tiger stripe' effect.

EZ Snap Shade material will not stretch or fray.

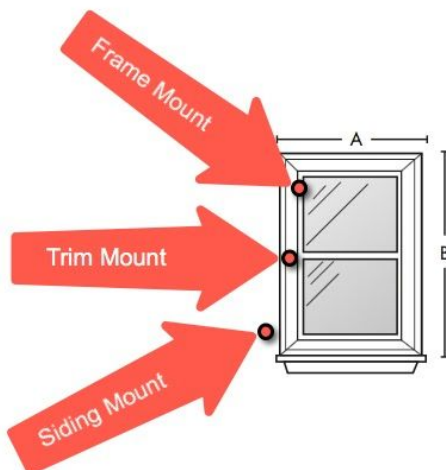
When unrolling Shade Mesh, you will notice it has a natural curl from being rolled up. For a more professional look, the fabric should be installed with the corners curling towards the glass.

Please do not stretch fabric between Pins. If excessive tension is used from Pin to Pin, Adhesive Stud failure may occur. Shades must be installed with little or no tension on the mesh. More like hanging a poster and less like stretching a drum skin.

Step #1: Measuring for House Window Shades

EZ Snap® Window Shades can be fastened to your window frames, window trim/casings, or the siding just beyond your window frames. If none of these options will work for you, Adhesive Fasteners can be installed directly onto the window glass, if necessary.

Covering the whole width of your window trim/casing with Shade Mesh is more forgiving (should you have any crooked cuts) than partially covering your trim/casing. This is especially true if the trim color is a heavily contrasting color to the shading mesh, like black shading mesh over white trim.



Mesh Dimensions in Relation to Fastener Position:

For shading mesh width A, measure from the center of left Fasteners, across glass, to the center of the right Fasteners, and add 1 to 2 inches.

For shading mesh height B, measure from the center of top Fasteners, down across glass, to the center of the bottom Fasteners, and add 1 to 2 inches.



Tip: Distance between the center of each Pin to the outside edge of the Shade Mesh must be **MINIMUM 1/2 inch.**

If installing multiple Window Shades, lay out and cut Shades from the 72 inch wide Shade Mesh included in each kit. Nest your Shades together for the most efficient fit.

Tip: Have a good plan. Print out the layout diagram and Fastener counts from the **EZ Snap Kit Size Calculator** (<https://calculator.ezsnapdirect.com>) and keep them on hand. **Measure twice, cut once.**

Step #2 Installing Fasteners: Clean & Prep Surface, Mount Studs & Pins

Most customers prefer using the “No-Drill” EZ Snap® 3M™ Adhesive Fasteners for their Shades. Deciding which EZ Snap® Fasteners are best depends on what type of window frames you have:



Stainless Steel Screw Snaps: Best for wood frames, stucco or siding mounting. Install in any temperature. No surface prep required.

Be careful not to over tighten screws.



3M™/Stainless Screw COMBO Snaps: 3M™ Adhesive seals around the screw hole. Install in any temperature. Surface prep recommended for better adhesive bond.

Be careful not to over tighten screws.



3M™ Adhesive Snaps: Installation temperature **MUST** be at least 15°C /60°F for 72 hours before attaching shades.

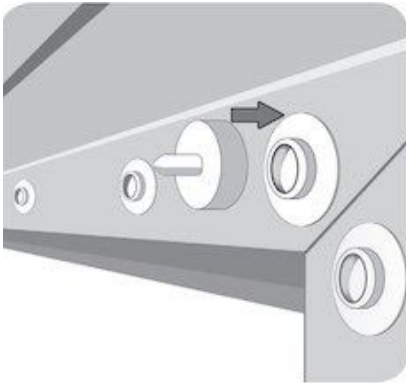
Surface preparation required.



REQUIRED Surface Cleaning and Preparation for 3M Adhesive Studs...

1. Thoroughly clean the area where the Studs will be mounted with 50/50 solution of isopropyl alcohol (rubbing alcohol) and water to remove any film, dirt or oxidization.

Caution: Do NOT use Windex, Simply Green, solvents, or any petroleum products since they are not compatible with the 3M VHB Adhesive.



2. 3M recommends using 3M Primer as the final surface prep before mounting Studs. Apply sparingly to the spots where Adhesive Fasteners will be mounted.

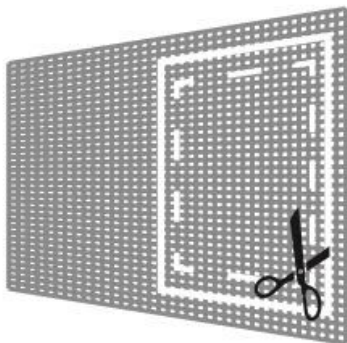
3. Remove adhesive backing paper then press into place with a minimum of 15 pounds pressure (in the centre and around the edges) on each Fastener.

4. After 3M Studs have been installed, wait a minimum of 60 minutes before installing the Shade Mesh. Waiting 24 hours is ideal, as the 3M Adhesive bond strength increases over time.

5. After Studs have been mounted, snap the Pins onto the Studs.

Tip: For all Fastener types, we recommend using a **MAXIMUM** of 10 inch spacing on most windows. For windows larger than 24 square feet or in high wind areas, use a **MAXIMUM** of 5 inch spacing. Install 2 Fasteners on each corner, 1.5 inches back from the corner.

Step #3: How to Cut Window Shade Fabric



Unroll EZ Snap Shade Mesh and lay it flat on a clean surface.

Mark out your measurements on the Shade Fabric using the EZ Snap washable marking pencil (or a regular pencil for light coloured Shades). A straight edge and framing square are helpful for this step.

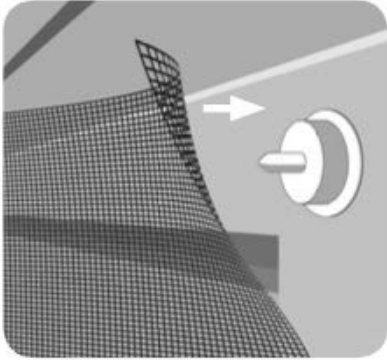
Next, cut out the window shade you have laid out on fabric using sharp scissors or a utility knife.

Tip: Before cutting, we recommend printing the layout diagram from the **EZ Snap Kit Size Calculator** (<https://calculator.ezsnapdirect.com>). **Measure twice, cut once.**



Step #4: Shade Fabric Placement

Starting in the top left corner, push Shade Mesh down onto Pins until the Pin punctures through. Push straight down to avoid bending or breaking the Pins. Move from one Pin to the next, working from top to bottom and left to right.



Adjust Shade Mesh on the Pins as needed, to remove any wrinkles. Pulling Shade Mesh off Pins (to adjust the position) and poking a new hole is OK.

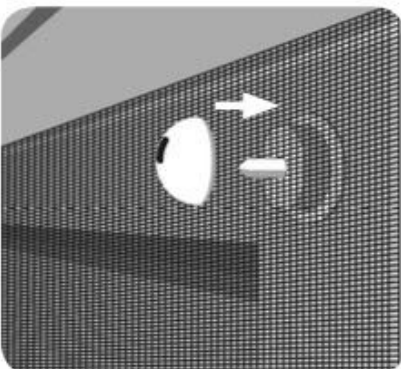
Tip: Put little or no tension on Shade Mesh. Please do not stretch fabric between Pins.

Placing Shade Mesh is more like hanging a poster, less like stretching a drum skin. If excessive tension is used from Pin to Pin, Adhesive Stud failure may occur.

Tip: It is important to push Shade Mesh to the very base of each Pin using the metal end of the EZ Snap Removal Tool or a small straight screwdriver.

This exposes all of the Pin's teeth so that the locking mechanism of each Cap can fully lock on.

Step #5: Cap Placement



Place Caps over Pins and press down towards the base of the Pin, as far possible.

Tip: You should hear the locking mechanism on the Cap clicking as you press Caps down toward the base of each Pin.

Once Pins and Caps are locked together, they should never be taken apart again. Pins and Caps should stay permanently locked onto Shade Mesh.

IMPORTANT: Do not pry apart Caps and Pins. This will permanently damage the Fastener.



Step #6: Care & Usage Tips for Window Shades

EZ Snap® Window Shades are made from a very durable and weatherproof material that does not require any special care.

EZ Snap® Window Shades can be cleaned simply with water from a garden hose.

For any dirt that doesn't easily rinse off, warm soapy water may be used as needed.

Window Shades can stay on year-round or be removed during cooler seasons.



When removing your Window Shades, be sure to use the EZ Snap Removal Tool or a small flat screwdriver to separate the Fasteners.

Place the straight blade between the base of the Pin and the Stud, twisting gently, to pop them apart without pulling on the Shades or the Fasteners.

The Stud remains on the mounting surface and the Cap and Pin stay locked onto the shading mesh.

Window Shades should be clean and dry when rolled up for storage.

Shades will maintain their smooth, wrinkle-free appearance longer if you avoid folding or 'kinking' the Shade Material.

Customer Support

Call Toll-Free US or Canada: **1-877-4EZNAP** (1-877-439-7627)

Live Chat & Contact Form: <https://ezsnapdirect.com>

Call Center & Chat Hours: **Monday to Friday – 8:30AM to 5:00PM (Pacific Time)**

Closed – Saturday, Sunday and all Statutory Holidays in Canada and USA